

4

3

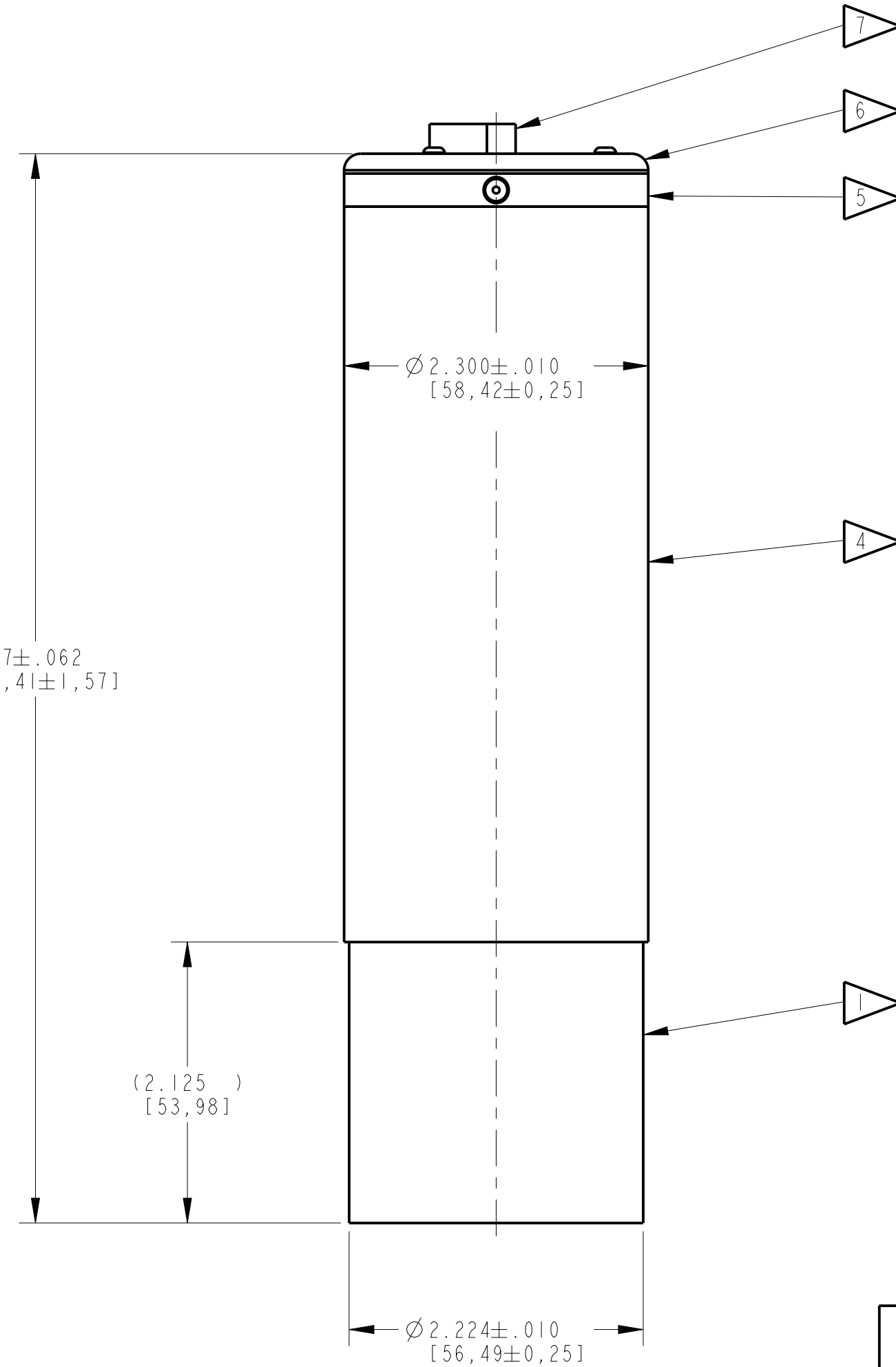
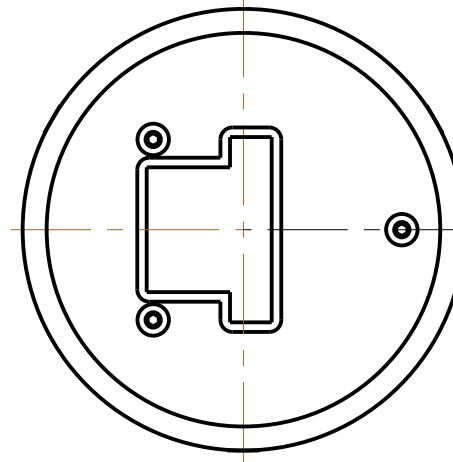
2

1

NOTES: UNLESS OTHERWISE SPECIFIED

REVISIONS				
ZONE	REV.	DESCRIPTION	DATE	APPROVED
-	-	-	-	-

- 1. ALUMINUM CRYSTAL HOUSING
.020 [0,508] THK.
(CLEAR ALODINE FINISH)
- 2. NAI(TL) CRYSTAL
Ø2.000 [50,8] X 2.000 [50,8] LG.
- 3. Ø2.000 [50,8] PHOTOMULTIPLIER TUBE
HAMAMATSU R6231-21 OR EQUIV.
- 4. MU-METAL LIGHT SHIELD
.020 [0,508] THK.
(BARE METAL FINISH)
- 5. ALUMINUM ADAPTER RING
(CLEAR ALODINE FINISH)
- 6. ALUMINUM SHIELD CAP
(CLEAR ALODINE FINISH)
- 7. MCA AND LED
USB CABLE, 10.000 [254,0] LONG (NOT SHOWN)
- 8. PERFORMANCE SPECIFICATION:
PHR: 6.6% OR BETTER FOR Cs-137 END-ON
HIGH VOLTAGE: +1000V TYPICAL
- 9. CALIBRATION INFORMATION:
UNIT WILL SHIP WITH BUILT-IN GAIN STABILIZATION
ENABLED AND PRE-CALIBRATED WITH CS-137
662 keV PEAK SET AT CHANNEL 882 (OUT OF 4096).
GAIN STABILIZATION: ±5% OVER -20°C TO +50°C



TOLERANCES UNLESS OTHERWISE SPECIFIED
.X ±.100
.XX ±.010
.XXX ±.005
ANGLES ±0° 30'
MICRO FINISH
125 ✓

CUSTOMER APPROVAL

APPROVED

APPROVED AS NOTED

REVISED & RESUBMIT

CUST. INIT. _____

DATE _____

ENGINEERING SALES DRAWING

DO NOT SCALE THIS DRAWING
THIS DWG IS IN ACCORDANCE WITH ASME1 Y-14.5M

DRAWN L. MARKS Mar-05-15

THIS DOCUMENT IS APPROVED AND MAINTAINED UNDER ELECTRONIC CONFIGURATION CONTROL

SAINT-GOBAIN
17900 Great Lakes Parkway, Hiram, OH 44234

TITLE MODEL: 2M2/2-LED-MCA-X

SIZE	CAGE CODE	DWG. NO.	REV.
C		S600-8238	-
SCALE	WEIGHT	CALC.	ACT. SHEET
1:1		<input type="checkbox"/>	1 OF 1

THIS PRINT IS THE EXCLUSIVE AND CONFIDENTIAL PROPERTY OF SAINT-GOBAIN CRYSTALS, A SUBSIDIARY OF SAINT-GOBAIN CERAMICS & PLASTICS, INC. AND IS NOT TO BE FURTHER REPRODUCED OR DISCLOSED TO ANOTHER PARTY WITHOUT PRIOR WRITTEN PERMISSION FROM SAINT-GOBAIN CRYSTALS. COPYRIGHT RESERVED, SAINT-GOBAIN CERAMICS & PLASTICS, INC. 2015

4

3

2

1

DWG. NO. S600-8238
SHEET REV. 1