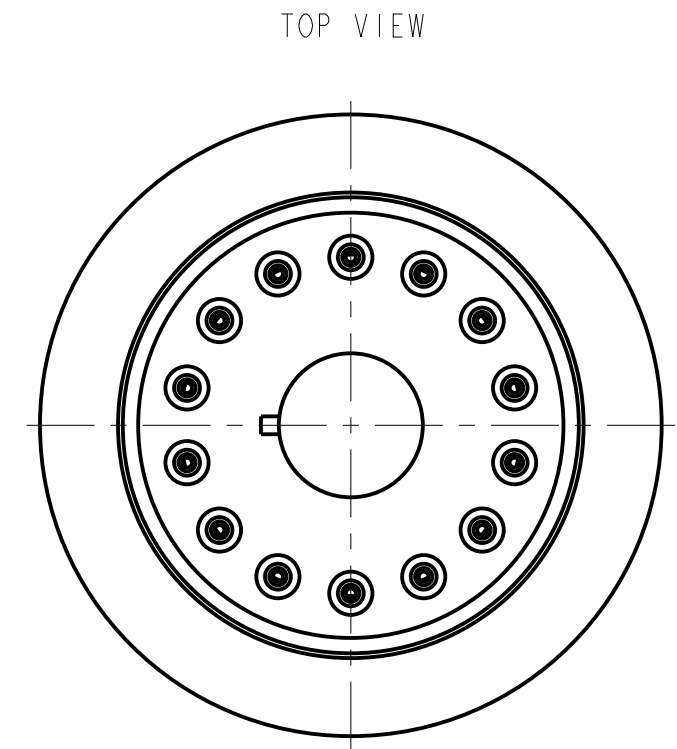
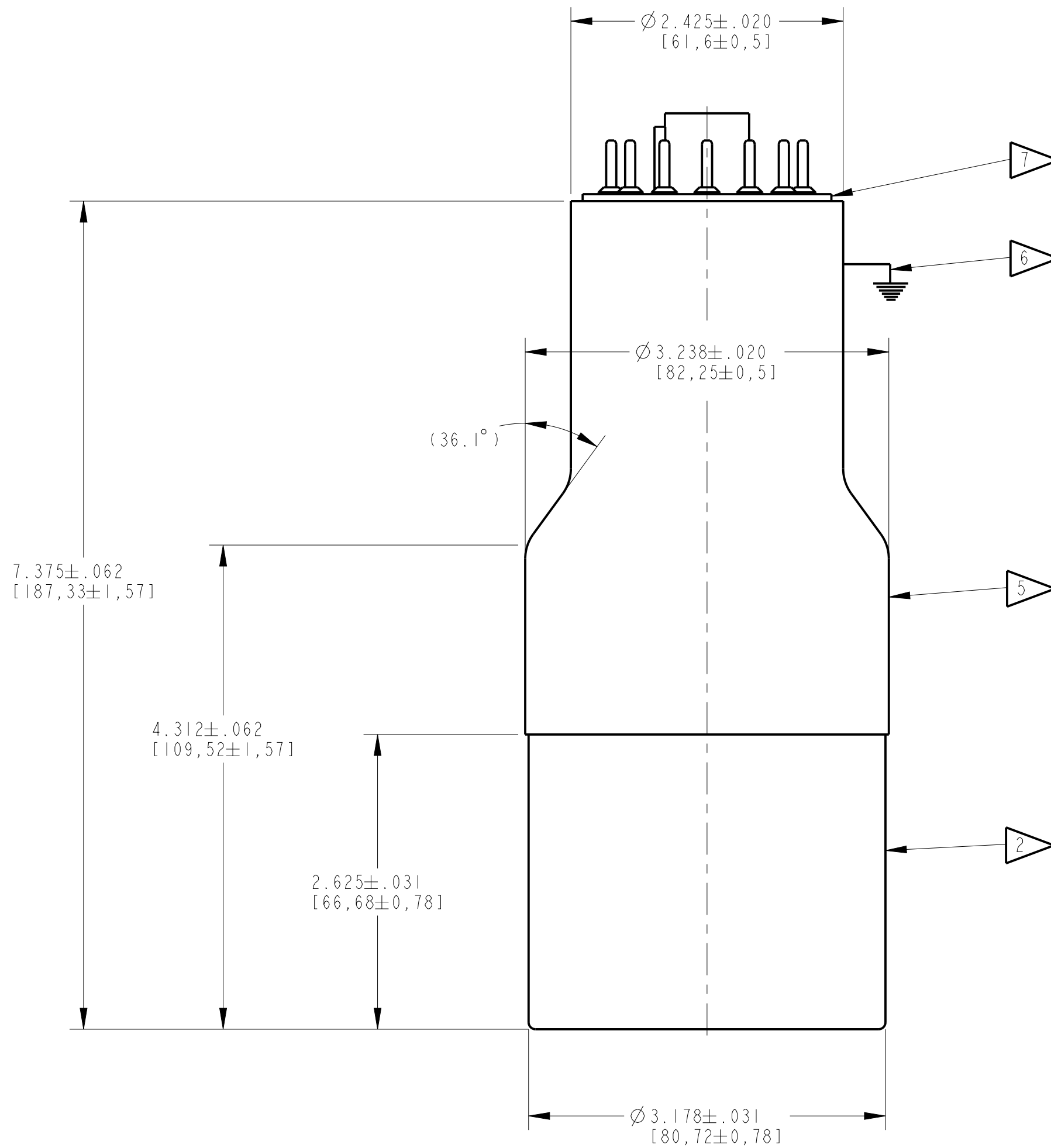


NOTES: UNLESS OTHERWISE SPECIFIED

1. IN [MM]
2. ALUMINUM CRYSTAL HOUSING  
.020 [0,508] THK.  
(CLEAR ALODINE)
3. NA1(TL) CRYSTAL  
Ø3.000 [76,2] X 3.000 [76,2] THK.
4. Ø3.000 [76,2] 8-STAGE PHOTOMULTIPLIER TUBE  
HAMAMATSU R6233 OR EQUIV.
5. MU-METAL LIGHT SHIELD  
.025 [0,635] THK.  
(BARE METAL FINISH)
6. CATHODE (PIN #14) INTERNALLY GROUNDED  
TO MU-METAL LIGHT SHIELD
7. 14 PIN BASE
8. TEST SPECIFICATIONS:  
PHR: 7.5% OR BETTER FOR Cs-137 END-ON  
HIGH VOLTAGE: +800V TYPICAL

REVISIONS				
ZONE	REV.	DESCRIPTION	DATE	APPROVED
D2		Ø2.425 ±.020 WAS Ø2.312 ±.031		
C2	B	Ø3.238 ±.020 WAS Ø3.250 ±.031	10/4/16	IND. #2836
C3		(36.1°) WAS 40.1°		



TOLERANCES UNLESS OTHERWISE SPECIFIED

.X ±.100  
.XX ±.010  
.XXX ±.005  
ANGLES ±0° 30'  
MICRO FINISH

125 ✓

**CUSTOMER APPROVAL**

APPROVED

APPROVED AS NOTED

REVISED & RESUBMIT

CUST. INIT. \_\_\_\_\_

DATE \_\_\_\_\_

**ENGINEERING SALES DRAWING**

DO NOT SCALE THIS DRAWING  
THIS DWG IS IN ACCORDANCE  
WITH ASME1 Y-14.5M

DRAWN L. MARKS Dec-04-15

THIS DOCUMENT IS APPROVED  
AND MAINTAINED UNDER  
ELECTRONIC CONFIGURATION  
CONTROL

**SAINT-GOBAIN**  
17900 Great Lakes Parkway, Hiram, OH 44234

TITLE MODEL: 3M3/3-X

SIZE	CAGE CODE	DWG. NO.	REV.
C		S600-8388	B
SCALE	WEIGHT	CALC.	ACT. SHEET
1:1		<input type="checkbox"/>	1 OF 1

THIS PRINT IS THE EXCLUSIVE AND CONFIDENTIAL PROPERTY OF SAINT-GOBAIN CRYSTALS, A SUBSIDIARY OF SAINT-GOBAIN CERAMICS & PLASTICS, INC. AND IS NOT TO BE FURTHER REPRODUCED OR DISCLOSED TO ANOTHER PARTY WITHOUT PRIOR WRITTEN PERMISSION FROM SAINT-GOBAIN CRYSTALS. COPYRIGHT RESERVED, SAINT-GOBAIN CERAMICS & PLASTICS, INC. 2015