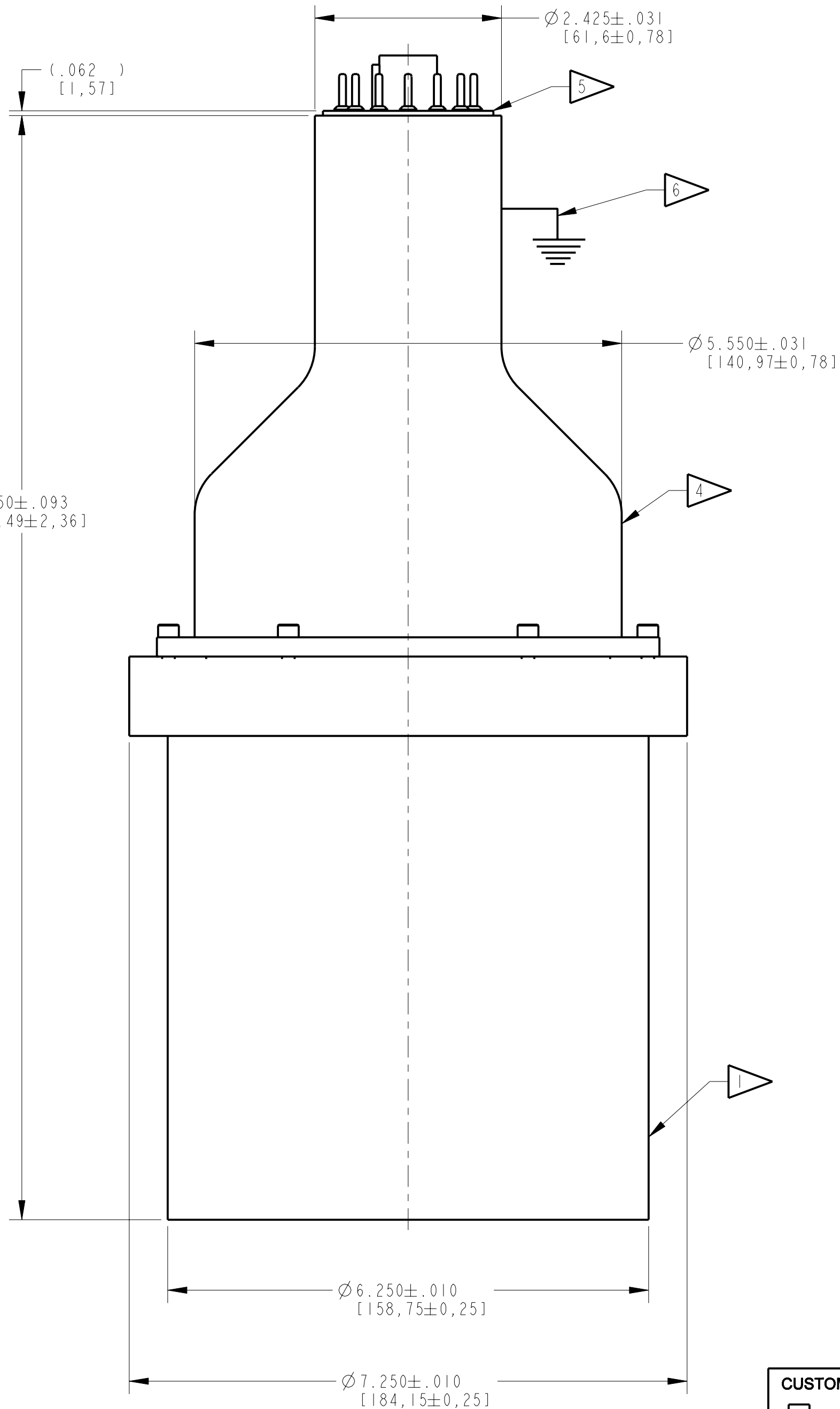
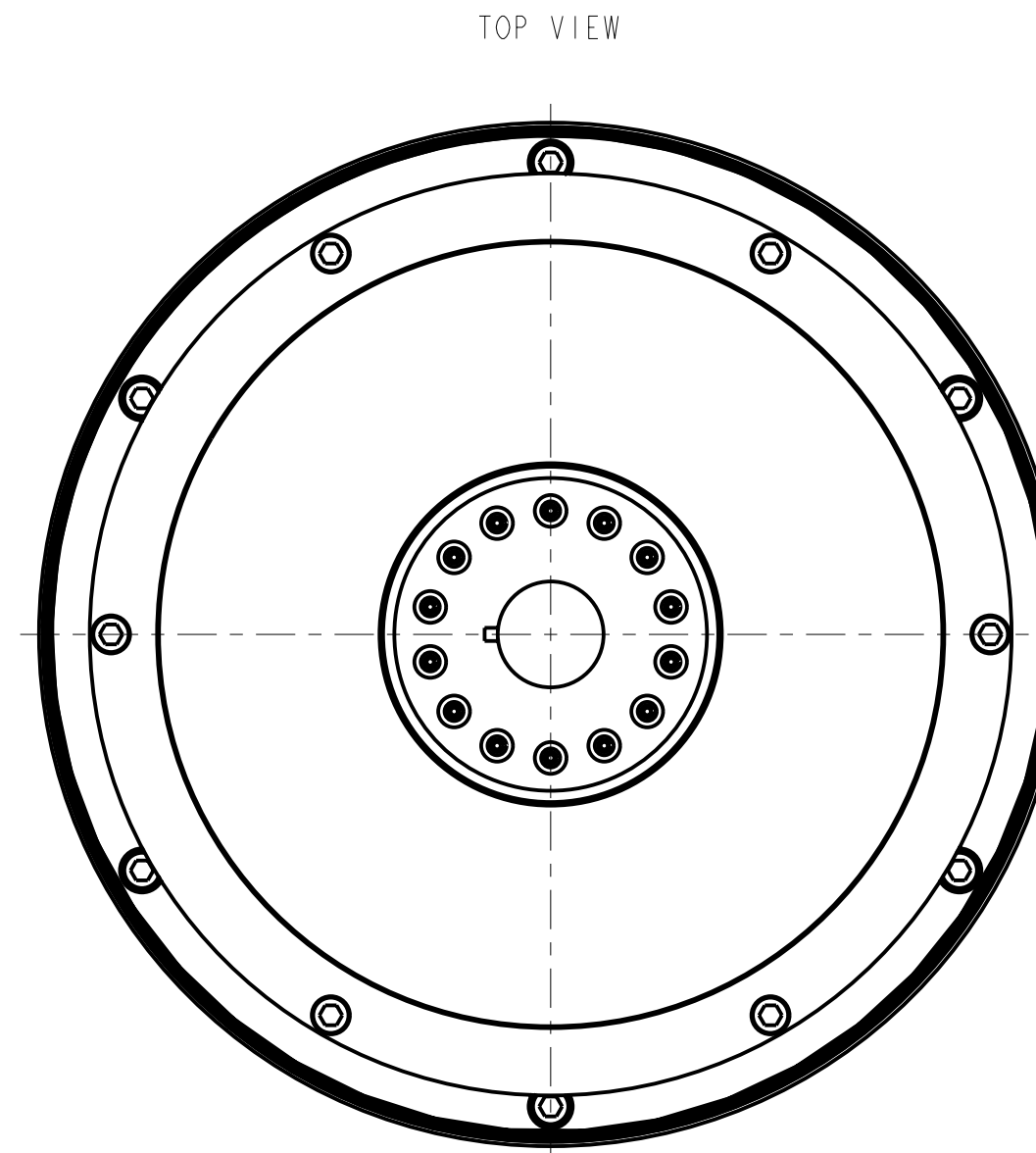


NOTES: UNLESS OTHERWISE SPECIFIED

- 1 ALUMINUM CRYSTAL HOUSING  
.030 [0,762] THK.  
(CLEAR ANODIZE FINISH)
- 2. NAI(TL) CRYSTAL  
Ø6.000 [152,4] X 6.000 [152,4] LG.
- 3. Ø5.000 [127,0] PHOTOMULTIPLIER TUBE
- 4 MU-METAL LIGHT SHIELD ASSEMBLY  
.025 [0,635] THK.  
WITH STAINLESS STEEL FLANGE  
(BARE METAL FINISH)
- 5 14 PIN PHENOLIC BASE
- 6 CATHODE (PIN#14) INTERNALLY GROUNDED  
TO MU-METAL LIGHT SHIELD
- 7. PERFORMANCE SPECIFICATION:  
PHR: 8.5% OR BETTER FOR Cs-137



REVISIONS				
ZONE	REV.	DESCRIPTION	DATE	APPROVED
-	-	-	-	-



**CUSTOMER APPROVAL**

APPROVED

APPROVED AS NOTED

REVISED & RESUBMIT

CUST. INIT. \_\_\_\_\_

DATE \_\_\_\_\_

**ENGINEERING SALES DRAWING**

DO NOT SCALE THIS DRAWING  
THIS DWG IS IN ACCORDANCE  
WITH ASME1 Y-14.5M

DRAWN DADAPEER 02-Jun-10

THIS DOCUMENT IS APPROVED  
AND MAINTAINED UNDER  
ELECTRONIC CONFIGURATION  
CONTROL

**SAINT-GOBAIN CRYSTALS**  
17900 Great Lakes Parkway, Hiram, OH 44234

TITLE  
ASSEMBLY DRAWING  
MODEL: 6H6/5

SIZE <b>C</b>	CAGE CODE	DWG. NO. S600-5531	REV. -
------------------	-----------	-----------------------	-----------

THIS PRINT IS THE EXCLUSIVE AND CONFIDENTIAL PROPERTY OF SAINT-GOBAIN CRYSTALS, A SUBSIDIARY OF SAINT-GOBAIN CERAMICS & PLASTICS, INC. AND IS NOT TO BE FURTHER REPRODUCED OR DISCLOSED TO ANOTHER PARTY WITHOUT PRIOR WRITTEN PERMISSION FROM SAINT-GOBAIN CRYSTALS. COPYRIGHT RESERVED, SAINT-GOBAIN CERAMICS & PLASTICS, INC. 2010

SCALE 3:4	WEIGHT	CALC.	ACT.	SHEET 1 OF 1
--------------	--------	-------	------	-----------------

DWG. NO. S600-5531  
SHEET 1  
REV.