

4

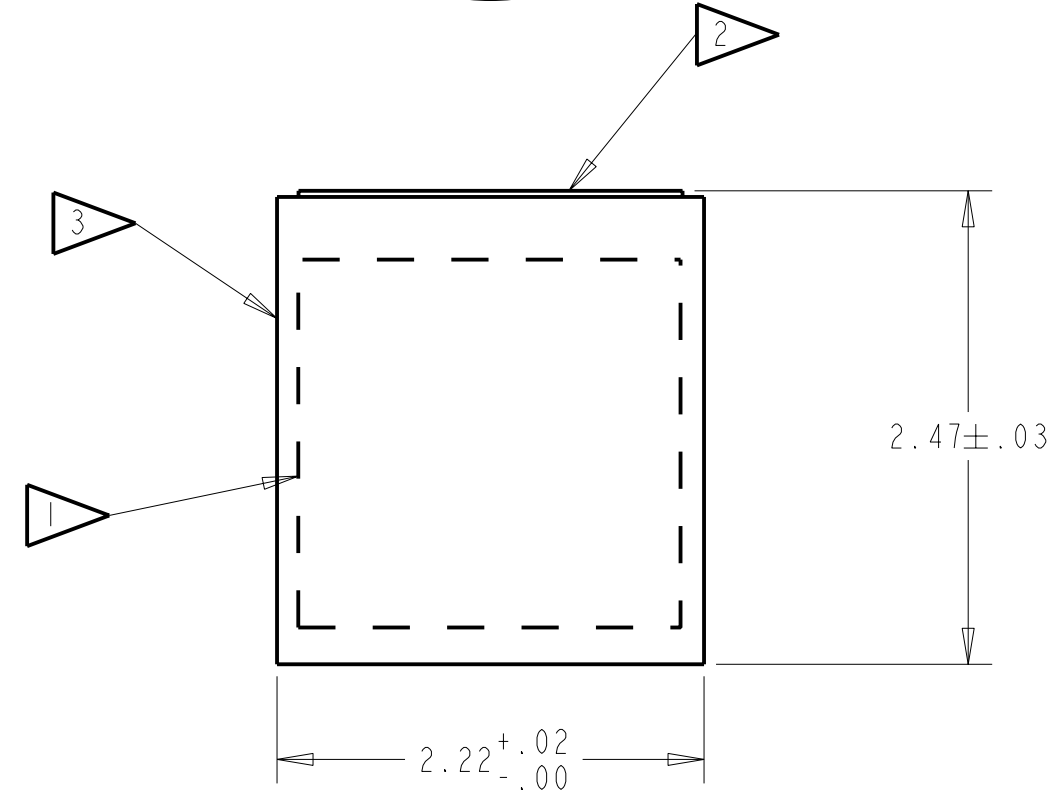
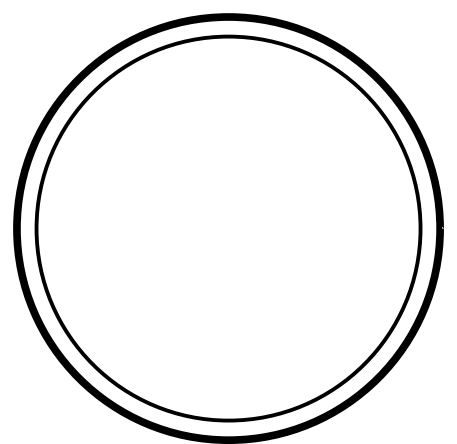
3

2

REVISIONS				
ZONE	REV.	DESCRIPTION	DATE	APPROVED
-	-	-	-	-

NOTES: UNLESS OTHERWISE SPECIFIED

- 1 CRYSTAL, NaI(+I) - \varnothing 2" X 2" THK
- 2 K+ SODA LIME FLOAT GLASS OPTICAL WINDOW, \varnothing 2" X .25" THK.
- 3 ALUMINUM HOUSING WITH CHROME FINISH
- 4. PERFORMANCE: 8% OR BETTER FOR Cs-137



CUSTOMER APPROVAL

APPROVED

APPROVED AS NOTED

REVISED & RESUBMIT

CUST. INIT. _____

DATE _____

ENGINEERING SALES DRAWING

DO NOT SCALE THIS DRAWING
THIS DWG IS IN ACCORDANCE WITH ASME Y-14.5M

DRAWN J.D. HUNT 27-Feb-01

THIS DOCUMENT IS APPROVED AND MAINTAINED UNDER ELECTRONIC CONFIGURATION CONTROL

SAINT-GOBAIN
CRYSTALS & DETECTORS
12345 Kinsman Rd. Newbury, OH 44065

TITLE 2R2

SIZE	CAGE CODE	DWG. NO.	REV.
B		SA-12428	-
SCALE	WEIGHT	CALC.	ACT. SHEET
1:1		<input type="checkbox"/>	<input type="checkbox"/> 1 OF 1

THIS PRINT IS THE EXCLUSIVE PROPERTY OF SAINT-GOBAIN CRYSTALS & DETECTORS, A SUBSIDIARY OF SAINT-GOBAIN CERAMICS & PLASTICS, INC. AND IS NOT TO BE FURTHER REPRODUCED OR DISCLOSED TO ANOTHER PARTY WITHOUT PRIOR WRITTEN PERMISSION FROM SAINT-GOBAIN CRYSTALS & DETECTORS. COPYRIGHT RESERVED, SAINT-GOBAIN CERAMICS & PLASTICS, INC. 2000

4

3

2

1