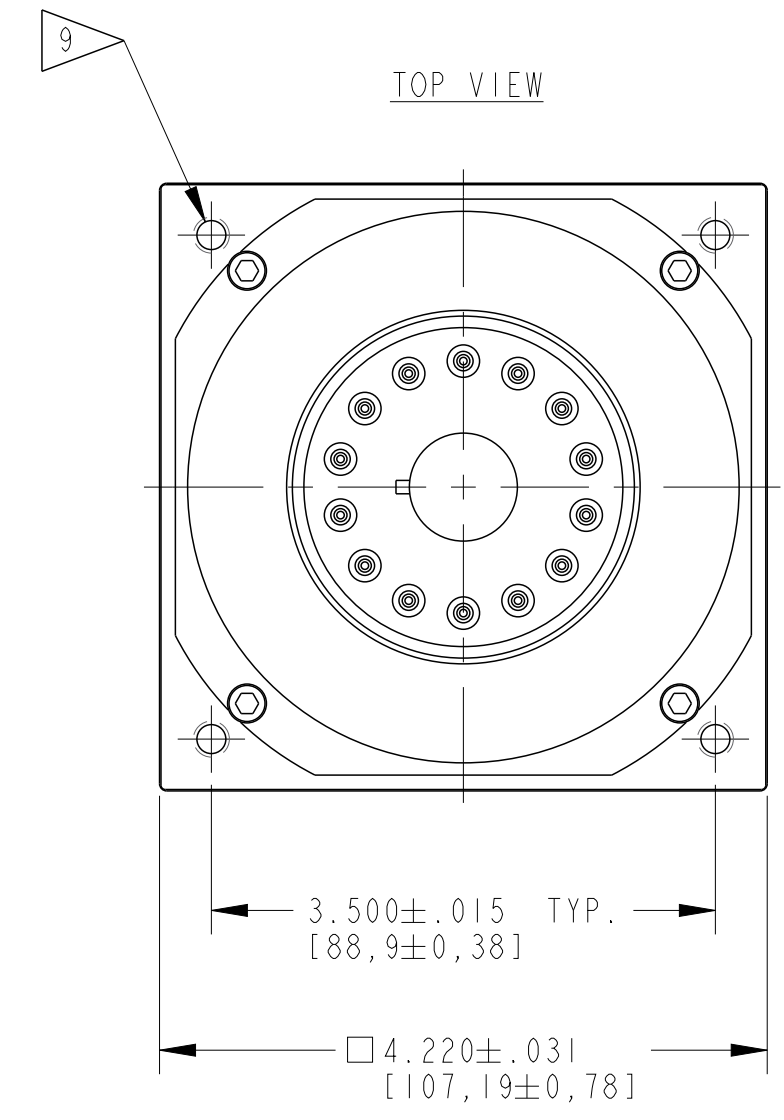
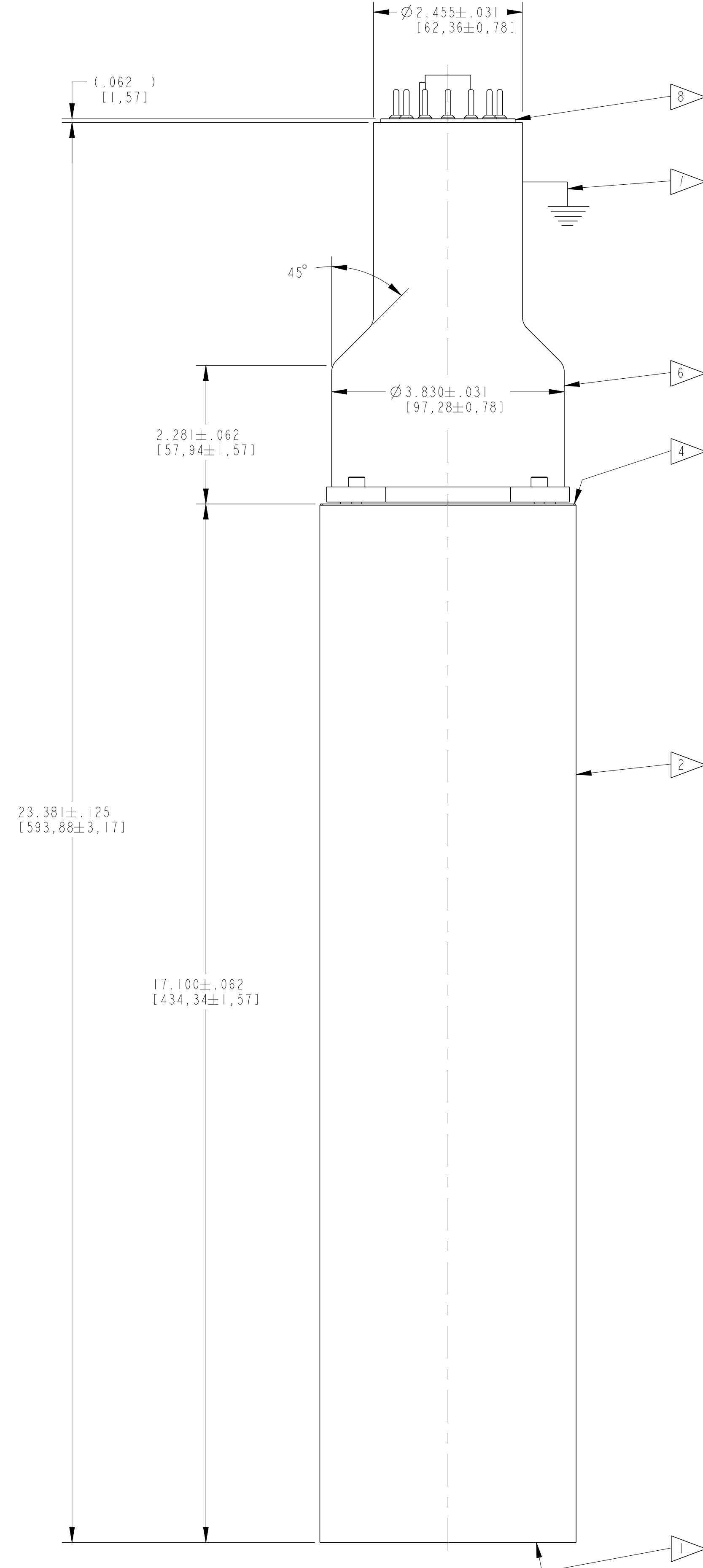


NOTES:

- 1. HERMETICALLY WELDED STAINLESS STEEL BOTTOM PLATE
.250 [6,35] THK.
(BARE METAL FINISH)
- 2. STAINLESS STEEL HOUSING
.020 [0,508] THK.
(BARE METAL FINISH)
- 3. NAI(TL) CRYSTAL
4.000 [101,6] X 4.000 [101,6] X 16.000 [406,4] LG.
- 4. HERMETICALLY WELDED STAINLESS STEEL TOP PLATE/OPTICAL WINDOW ASSEMBLY
(BARE METAL FINISH)
- 5. REMOVEABLE Ø3.500 [88,9] PHOTOMULTIPLIER TUBE
HAMAMATSU R10755 OR EQUIV.
- 6. REMOVEABLE MU-METAL LIGHT SHIELD ASSEMBLY
.040 [1,016] THK.
WITH STAINLESS STEEL FLANGE
(BARE METAL FINISH)
- 7. CATHODE PIN INTERNALLY GROUNDED MU-METAL LIGHT SHIELD
- 8. 14 PIN BASE
- 9. (4X) 1/4-20 UNC-2B ∇ .312 [7,925] HOLES FOR LIFTING OR MOUNTING PURPOSES
- 10. PERFORMANCE SPECIFICATION:
PHR: 8% OR BETTER FOR Cs-137 BROADBEAM
PHR: 5% OR BETTER FOR Th-228 BROADBEAM
UNIFORMITY: 3% OR BETTER FOR Cs-137
HIGH VOLTAGE: +1100V TYPICAL
- 11. PRIMARY DIMENSIONS ARE IN INCHES,
SECONDARY DIMENSION ARE IN MILLIMETERS

REVISIONS				
ZONE	REV.	DESCRIPTION	DATE	APPROVED
B6	A	23.381 WAS 22.131	4/17/18	IND. #2977



TOLERANCES UNLESS OTHERWISE SPECIFIED
 .X ±.100
 .XX ±.010
 .XXX ±.005
 ANGLES ±0° 30'
 MICRO FINISH 125 ✓

CUSTOMER APPROVAL <input type="checkbox"/> APPROVED <input type="checkbox"/> APPROVED AS NOTED <input type="checkbox"/> REVISED & RESUBMIT CUST. INIT. _____ DATE _____	ENGINEERING SALES DRAWING DO NOT SCALE THIS DRAWING THIS DWG IS IN ACCORDANCE WITH ASME Y-14.5M		 17900 Great Lakes Parkway, Hiram, OH 44234	
	DRAWN L. MARKS DATE Dec-19-16	TITLE MODEL: 4X4HG16/3.5SS-X		
THIS DOCUMENT IS APPROVED AND MAINTAINED UNDER ELECTRONIC CONFIGURATION CONTROL		SIZE D SCALE 0.750	CAGE CODE WEIGHT CALC.	DWG. NO. S600-8568 ACT. SHEET 1 OF 1 REV. A

THIS PRINT IS THE EXCLUSIVE AND CONFIDENTIAL PROPERTY OF SAINT-GOBAIN CRYSTALS, A SUBSIDIARY OF SAINT-GOBAIN CERAMICS & PLASTICS, INC. AND IS NOT TO BE FURTHER REPRODUCED OR DISCLOSED TO ANOTHER PARTY WITHOUT PRIOR WRITTEN PERMISSION FROM SAINT-GOBAIN CRYSTALS. COPYRIGHT RESERVED, SAINT-GOBAIN CERAMICS & PLASTICS, INC. 2018

DWG. NO. S600-8568

SHEET REV. A