

Model P-1210

Scintillation Voltage Divider

The P-1210 is for use with scintillation detectors coupled to 12-pin, 10-stage photomultiplier tubes (PMTs). The P-1210 is a plug-on PMT base/voltage divider. The plug-on models are easy to connect. You simply push the P-1210 onto the 12-pin PMT base.

Standard Features -

- Aluminum housing
- RoHS compliant
- Mount directly to a 12-pin base of a PMT or radiation detector.
- Gain Potentiometer
- Optimized to work with Saint-Gobain Crystals standard detectors.

Voltage Divider Specifications -

- Positive HV max: 1500V
- Total divider resistance: 4M Ω (nominal) if gain potentiometer set to minimum.
- Anode load resistor: 1M Ω (nominal)
- Anode output: AC coupled
- HV gain range adjustment: Varies with PMT applied HV between 80% and 100% of applied high voltage
- HV gain: Lockable screwdriver adjustable potentiometer
- Signal connector: BNC
- High voltage connector: SHV
- Voltage ratio cathode to dynode 1 is 2R
- Maximum operating temperature: -20°C - +60°C

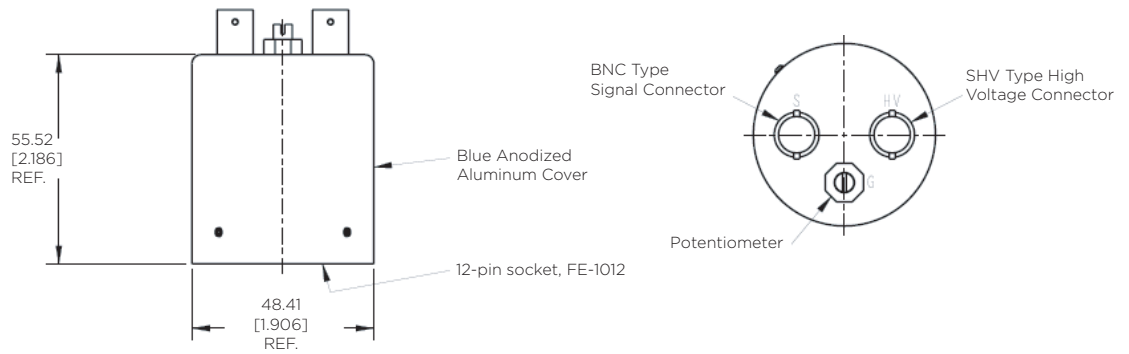
Options -

- High voltage connector: SHV or MHV
- Signal connector: Other types available upon request
- Conformal coating for high humidity applications
- Negative high voltage option available (Model P-1210N)

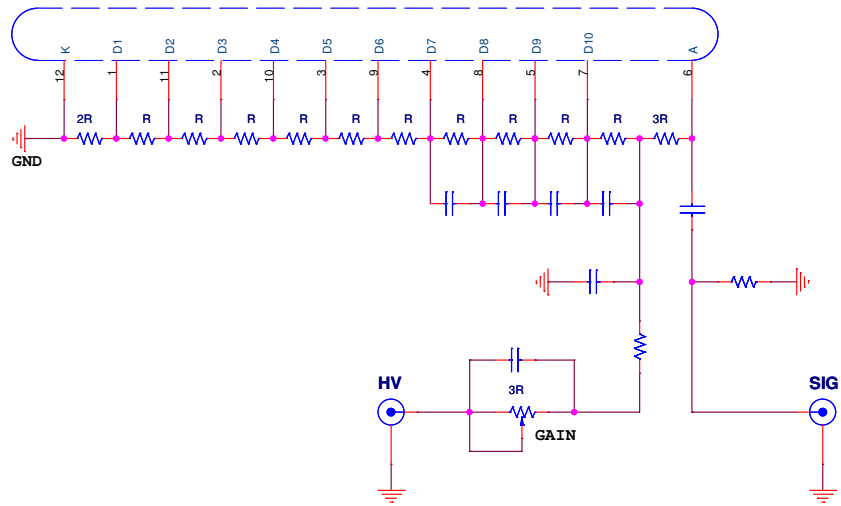
Compatible Photomultiplier Tubes			
Size	Electron Tubes Model	Hamamatsu Model	Photonis Model
1.5"	9102	R980	XP2012
	9902	R580	XP2013
	9903	2060	XP2040
			XP2052
			XP2060
			XP2072

Model P-1210 Voltage Divider

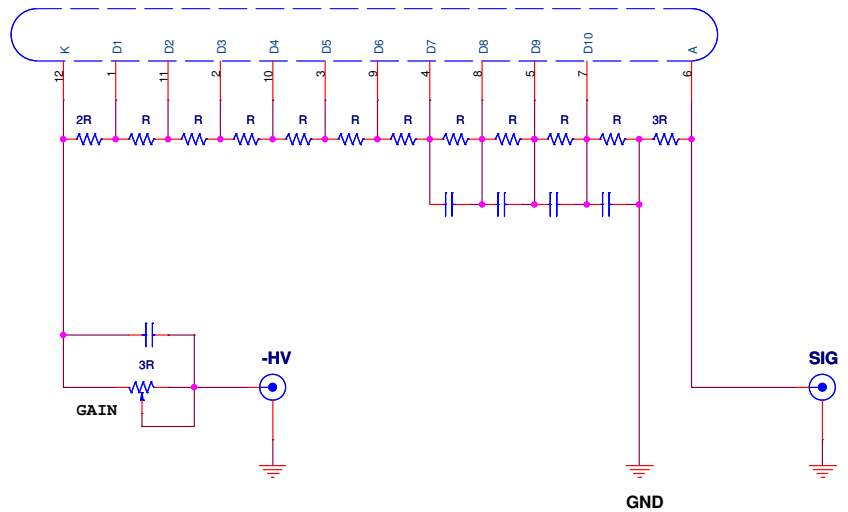
Configuration -



P-1210 Schematic-



P-1210N Schematic-



The drawing dimensions are nominal and subject to change. Call the factory for current values.



Saint-Gobain Crystals

www.crystals.saint-gobain.com

Manufacturer reserves the right to alter specifications.

©2009-2018 Saint-Gobain Ceramics & Plastics, Inc. All rights reserved.