

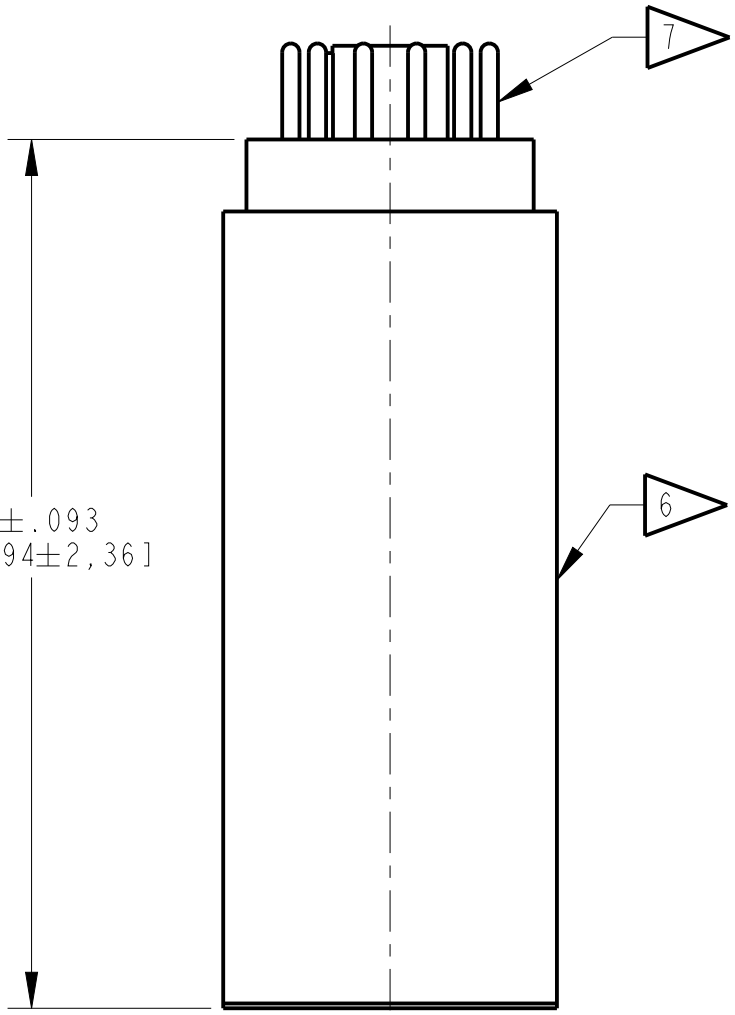
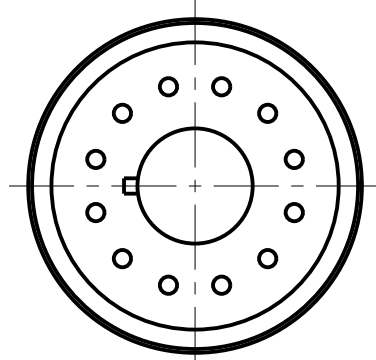
4

3

2

NOTES:

1. BERYLLIUM ENTRANCE WINDOW
.010 [0,254] THK.
(BARE METAL FINISH)
2. ALUMINUM ADAPTOR
(CLEAR ALODINE FINISH)
3. NAI(TL) CRYSTAL
Ø1.000 [25,4] X .040 [1,016] THK.
4. QUARTZ GLASS OPTICAL WINDOW
Ø1.250 [31,75] X .062 [1.575] THK.
5. Ø1.500 [50,8] PHOTOMULTIPLIER TUBE.
WIRED FOR POSITIVE HIGH VOLTAGE OPERATION
6. MU-METAL LIGHT SHIELD
.020 [0,508] THK.
(BARE METAL FINISH)
7. 12 PIN BASE
8. PERFORMANCE SPECIFICATION:
PHR: 55% OR BETTER FOR Fe-55 END-ON
HIGH VOLTAGE: +700V TYPICAL
9. IN [MM]



Ø1.738 ± .015
[44,15 ± 0,38]

REVISIONS				
ZONE	REV.	DESCRIPTION	DATE	APPROVED
D4 C4	A	CLEAR ALODINE WAS BRIGHT CHROME BARE METAL WAS BRIGHT CHROME	1/28/15	IND. #2679

CUSTOMER APPROVAL

APPROVED

APPROVED AS NOTED

REVISED & RESUBMIT

CUST. INIT. _____

DATE _____

ENGINEERING SALES DRAWING

DO NOT SCALE THIS DRAWING
THIS DWG IS IN ACCORDANCE
WITH ASME Y-14.5M

DRAWN DADAPEER 27-May-10

THIS DOCUMENT IS APPROVED
AND MAINTAINED UNDER
ELECTRONIC CONFIGURATION
CONTROL

SAINT-GOBAIN
17900 Great Lakes Parkway, Hiram, OH 44234

TITLE
ASSEMBLY DRAWING
MODEL: 1XM.040/1.5B

SIZE	CAGE CODE	DWG. NO.	REV.
B		SA-05592	A
SCALE	WEIGHT	CALC.	ACT. SHEET
1:1		<input type="checkbox"/>	<input type="checkbox"/> 1 OF 1

THIS PRINT IS THE EXCLUSIVE AND CONFIDENTIAL PROPERTY OF SAINT-GOBAIN CRYSTALS, A SUBSIDIARY OF SAINT-GOBAIN CERAMICS & PLASTICS, INC. AND IS NOT TO BE FURTHER REPRODUCED OR DISCLOSED TO ANOTHER PARTY WITHOUT PRIOR WRITTEN PERMISSION FROM SAINT-GOBAIN CRYSTALS. COPYRIGHT RESERVED, SAINT-GOBAIN CERAMICS & PLASTICS, INC. 2015