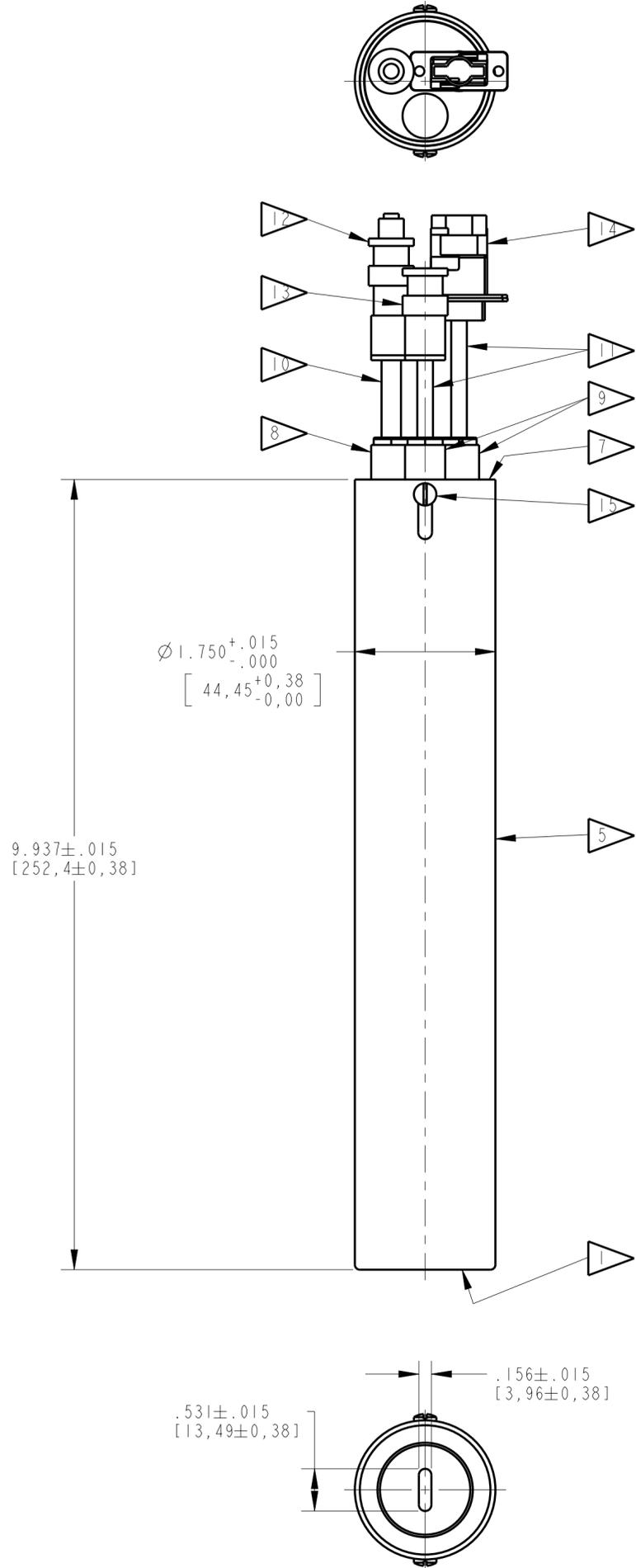


NOTES:

- 1. BRASS COLLIMATOR
(CLEAR ACRYLIC FINISH)
- 2. IXR.040B DETECTOR ASSEMBLY
PER SALES DRAWING SA-05705
- 3. Ø1.500 [38,1] PHOTOMULTIPLIER TUBE
HAMAMATSU R580 OR EQUIV.
- 4. FULL LENGTH OF PMT WRAPPED
WITH MU-METAL FOIL AND CATHODE
(PIN #12) INTERNALLY GROUNDED
TO MU-METAL FOIL
- 5. ALUMINUM HOUSING
.060 [1,524] THK.
(CLEAR ALODINE HOUSING)
- 6. INTEGRALLY WIRED VOLTAGE DIVIDER/
PRE-AMP ASSEMBLY
- 7. ALUMINUM TOP CAP
(CLEAR ALODINE FINISH)
- 8. FEED THRU.
AMPHENOL, #MX-1530/U
- 9. (2X) FEED THRU.
AMPHENOL, #MX-1684/U
- 10. COAXIAL CABLE, #RG-59/U
144.00 [3657,6] LONG
- 11. (2X) COAXIAL CABLE, #RG-58/U
144.00 [3657,6] LONG
- 12. HIGH VOLTAGE PLUG CONNECTOR
MHV CONNECTOR, KINGS, #KV-59-26 OR
SHV CONNECTOR, KINGS, #1705-14
- 13. SIGNAL PLUG CONNECTOR
BNC CONNECTOR, KINGS, #UG-88/U
- 14. PRE-AMP CONNECTOR
AMPHENOL, 9-PIN, #17-90090-15
- 15. (2X) #6-32 BINDER HEAD MACHINE SCREW
- 16. PERFORMANCE SPECIFICATION:
PHR: 55% OR BETTER FOR Fe-55 END-ON
HIGH VOLTAGE: +800V TYPICAL
- 17. IN [MM]

REVISIONS				
ZONE	REV.	DESCRIPTION	DATE	APPROVED
D4	A	CLEAR ACRYLIC WAS BRIGHT CHROME	1/29/15	IND. #2679
C4		CLEAR ALODINE WAS BRIGHT CHROME		



CUSTOMER APPROVAL

APPROVED

APPROVED AS NOTED

REVISED & RESUBMIT

CUST. INIT. _____

DATE _____

ENGINEERING SALES DRAWING

DO NOT SCALE THIS DRAWING
THIS DWG IS IN ACCORDANCE
WITH ASME1 Y-14.5M

DRAWN L. SCHULTZ 02-Aug-05

THIS DOCUMENT IS APPROVED
AND MAINTAINED UNDER
ELECTRONIC CONFIGURATION
CONTROL

SAINT-GOBAIN
17900 Great Lakes Parkway, Hiram, OH 44234

TITLE
MODEL: IXMP.040B

SIZE C	CAGE CODE	DWG. NO. SB-01464	REV. A
SCALE 3:4	WEIGHT	CALC. <input type="checkbox"/>	ACT. <input type="checkbox"/>

SHEET 1 OF 1

THIS PRINT IS THE EXCLUSIVE AND CONFIDENTIAL PROPERTY OF SAINT-GOBAIN CRYSTALS, A SUBSIDIARY OF SAINT-GOBAIN CERAMICS & PLASTICS, INC. AND IS NOT TO BE FURTHER REPRODUCED OR DISCLOSED TO ANOTHER PARTY WITHOUT PRIOR WRITTEN PERMISSION FROM SAINT-GOBAIN CRYSTALS. COPYRIGHT RESERVED, SAINT-GOBAIN CERAMICS & PLASTICS, INC. 2015