

8

7

6

5

4

3

2

1

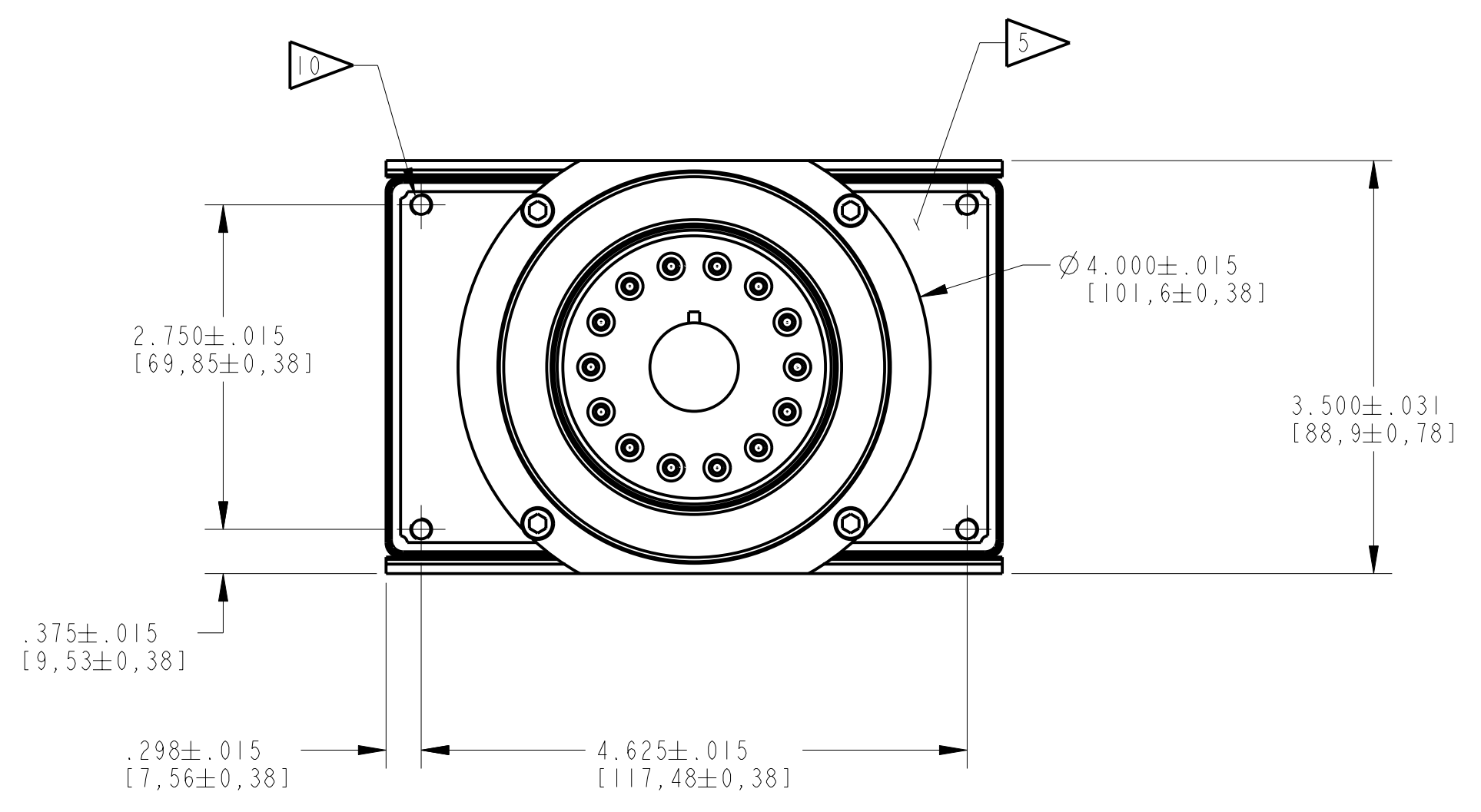
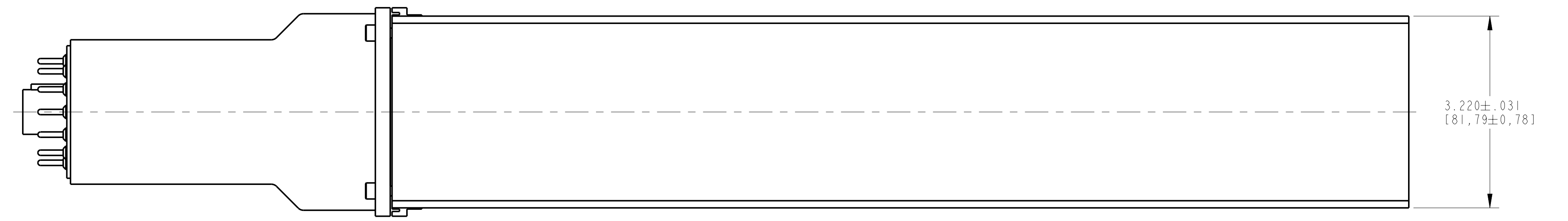
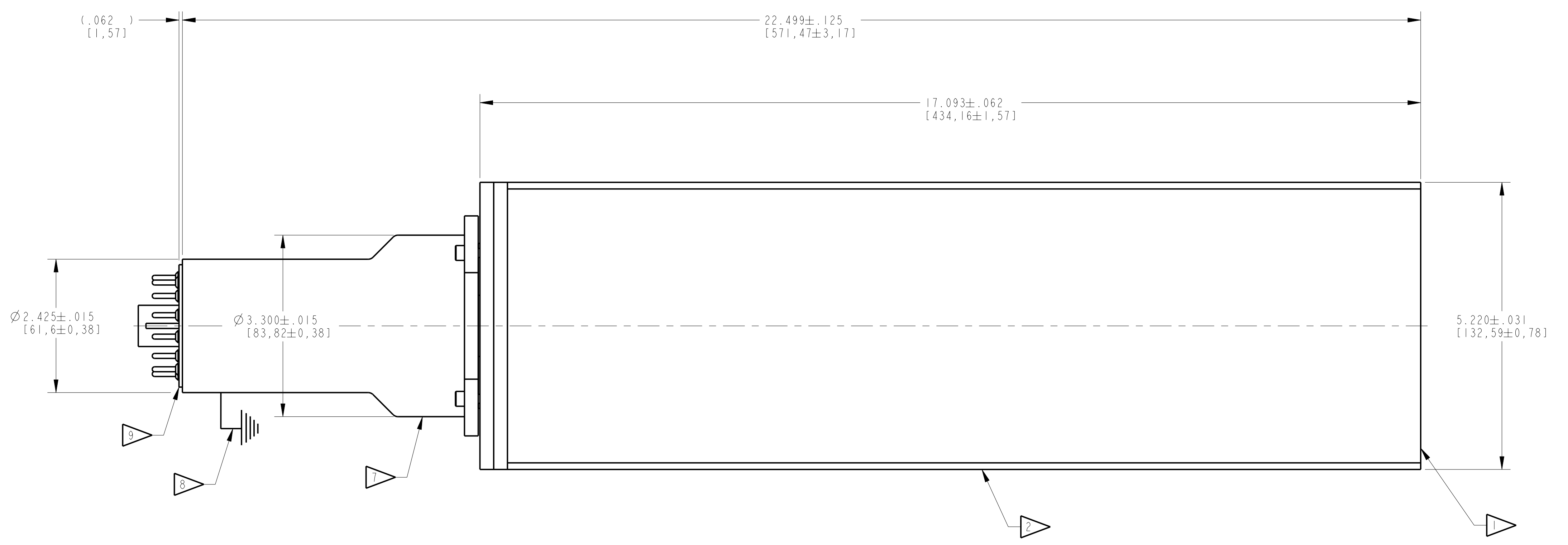
NOTES:

- 1. STAINLESS STEEL BOTTOM PLATE
.312 [7,925] THK.
(BARE METAL FINISH)
- 2. STAINLESS STEEL HOUSING
.020 [0,508] THK.
(BARE METAL FINISH)
- 3. NaI(Tl) CRYSTAL
3.000 [76,2] X 5.000 [127,0]
X 16.000 [406,4] LONG
- 4. OPTICAL WINDOW
.500 [12,7] THK.

- 5. STAINLESS STEEL TOP PLATE
.375 [9,525] THK.
(BARE METAL FINISH)
- 6. REMOVEABLE Ø3.000 [76,2] PHOTOMULTIPLIER TUBE
HAMAMATSU R1307-12 OR EQUIV.
- 7. REMOVEABLE MU-METAL
LIGHT SHIELD ASSEMBLY
.025 [0,635] THK.
(BARE METAL FINISH)
- 8. CATHODE (PIN #14) INTERNALLY
GROUNDED TO MU-METAL LIGHT SHIELD
- 9. 14-PIN PHENOLIC BASE
JEDEC B-14-38
- 10. 4X #10-32 UNF-2B .250 HOLES
LOCATED AS SHOWN

11. PERFORMANCE SPECIFICATION:
PHR: 9% OR BETTER FOR Cs137 SIDE ON
DIFFERENCE IN PHR BETWEEN EACH DETECTOR
BUILT MUST BE LESS THAN OR EQUAL TO 0.5%
UNIFORMITY: MEASURE & RECORD PH AT THREE
POINTS ALONG CRYSTAL LENGTH

REVISIONS				
ZONE	REV.	DESCRIPTION	DATE	APPROVED
-	-	-	-	-



CUSTOMER APPROVAL

APPROVED

APPROVED AS NOTED

REVISED & RESUBMIT

CUST. INIT. _____

DATE _____

ENGINEERING SALES DRAWING

DO NOT SCALE THIS DRAWING
THIS DWG IS IN ACCORDANCE
WITH ASME Y-14.5M

DRAWN: L. SCHULTZ 28-Mar-06

SAINT-GOBAIN CRYSTALS
12345 Kinsman Rd. Newbury, OH 44065

TITLE: _____

MODEL: 3X5H16/3SS

THIS PRINT IS THE EXCLUSIVE PROPERTY OF SAINT-GOBAIN CRYSTALS & DETECTORS.
A SUBSIDIARY OF SAINT-GOBAIN CERAMICS & PLASTICS, INC. AND IS NOT TO BE FURTHER REPRODUCED
OR DISCLOSED TO ANOTHER PARTY WITHOUT PRIOR WRITTEN PERMISSION FROM SAINT-GOBAIN
CRYSTALS. COPYRIGHT RESERVED, SAINT-GOBAIN CERAMICS & PLASTICS, INC. 2005

THIS DOCUMENT IS APPROVED
AND MAINTAINED UNDER
ELECTRONIC CONFIGURATION
CONTROL

SIZE	CAGE CODE	DWG. NO.	REV.
D		S600-5842	-
SCALE	WEIGHT	CALE. ACT. SHEET	REV.
3:10			1 OF 1

8

7

6

5

4

3

2

1